

REAL TIME. ON-LINE. INLINE.



### Description

The SenGenuity VisConnect® Model VC-2010 CANopen® Converter is a DIN rail mountable CAN bus compatible device which provides viscosity and temperature readings from the SenGenuity ViSmart® VS-2000 and VS-2500 series viscosity sensor. It has a field configurable bus termination resistor, Network Layer Node ID and bit rate. The optional TBUS DIN rail connectors allow for minimal wiring and reduces installation time.

### Performance Specifications

Parameter	Value
<b>Physical IO</b>	
Physical Layer, per OSI Model	CAN
Network Layer, per OSI Model	CANopen
Network Layer, default address	10
Network Layer default baud rate	125k
CAN bus termination	120Ω
Available Transmit Process Data Objects	Viscosity (AV)
	Temperature (C)
	Sensor and Converter Status
<b>Electronic</b>	
Power Supply Voltage (Vdc)	9V <sub>DC</sub> to 36V <sub>DC</sub>
Power Supply Current (mA)	<100
<b>Environmental</b>	
Ambient Operating / Storage Temperature	0 to 60°C / -40 to 85°C
Relative Humidity	95%, no condensation
<b>Mechanical</b>	
Housing Dimensions	70.4mm (height) x 85mm (depth) x 22.5mm (width)
Mounting	DIN rail, 35mm, TBUS connector (optional)
Connector Type	PCB Terminal Blocks, 5mm
Vibration	EN60068-2-6 & EN60068-2-64
Shock	EN60068-2-27
Protection Degree	IP20
<b>Approvals</b>	
EMC Immunity/Emission	EN 55000, EN 61000-4-2, EN 61000-4-3, EN 61000-4-6

# Electrical Connections

Terminal	Signal	Terminal	Signal
1	nc	9	MOSI
2	CANL	10	SCK
3	nc	11	A0
4	CANH	12	A1
5	Ground	13	Sensor Cable Shield
6	Power	14	V+
7	Ground	15	MISO
8	Power	16	GND

## TBUS Electrical Connections (optional)

Terminal	Signal
1	Power
2	Ground
3	nc
4	CANH
5	CANL

# CANopen Converter DIP Switch Settings

**Node ID Addressing Table**

Address	DIP 1	DIP 2	DIP 3	DIP 4
10	OFF	OFF	OFF	OFF
11	OFF	OFF	OFF	ON
12	OFF	OFF	ON	OFF
13	OFF	OFF	ON	ON
14	OFF	ON	OFF	OFF
15	OFF	ON	OFF	ON
16	OFF	ON	ON	OFF
17	OFF	ON	ON	ON
18	ON	OFF	OFF	OFF
19	ON	OFF	OFF	ON
20	ON	OFF	ON	OFF
21	ON	OFF	ON	ON
22	ON	ON	OFF	OFF
23	ON	ON	OFF	ON
24	ON	ON	ON	OFF
25	ON	ON	ON	ON

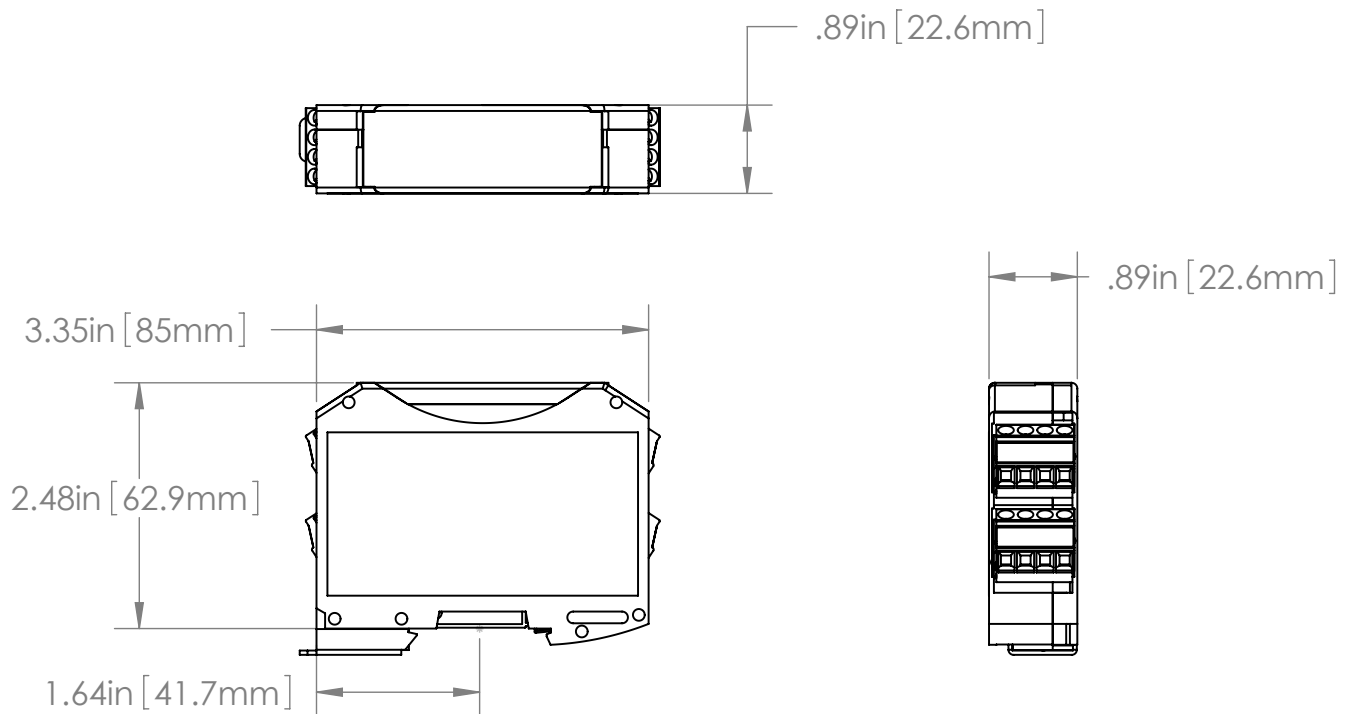
**Bit Rate Settings**

DIP	Switch
5	OFF = 125k baud
5	ON = 250k baud

**Bus Termination Settings**

DIP	Switch
6	ON = 120Ω termination enabled
6	OFF = 120Ω termination disabled

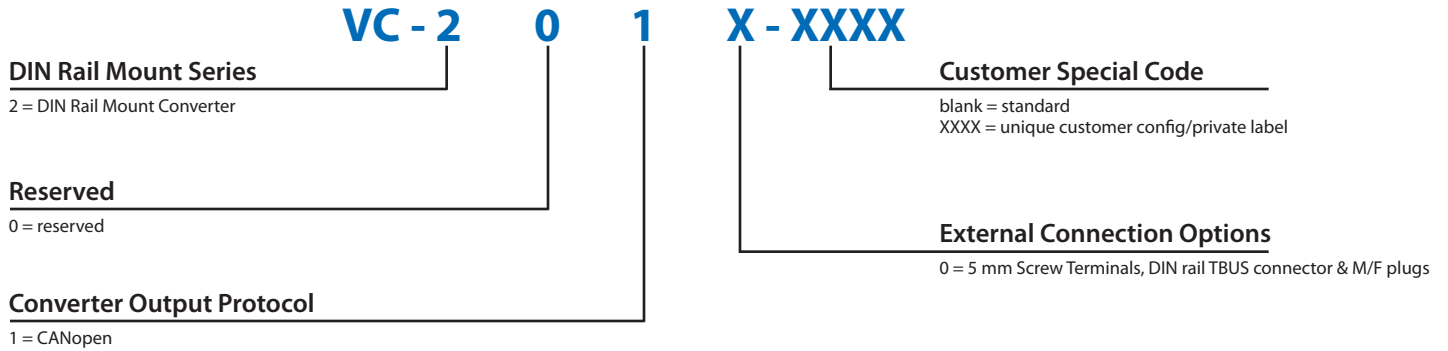
# Physical Dimensions



# Ordering Information

Model Number	Description
VC-2010	CANopen® Converter
VC-2010-XXXX*	OEM CANopen® Converter

\*Please contact Vectron International for OEM applications



Please contact SenGenuity at [sensors@sengenuity.com](mailto:sensors@sengenuity.com) for further details.

**DISCLAIMER**  
Vectron International reserves the right to make changes to the product(s) and or information contained herein without notice. No liability is assumed as a result of their use or application. No rights under any patent accompany the sale of any such product(s) or information.